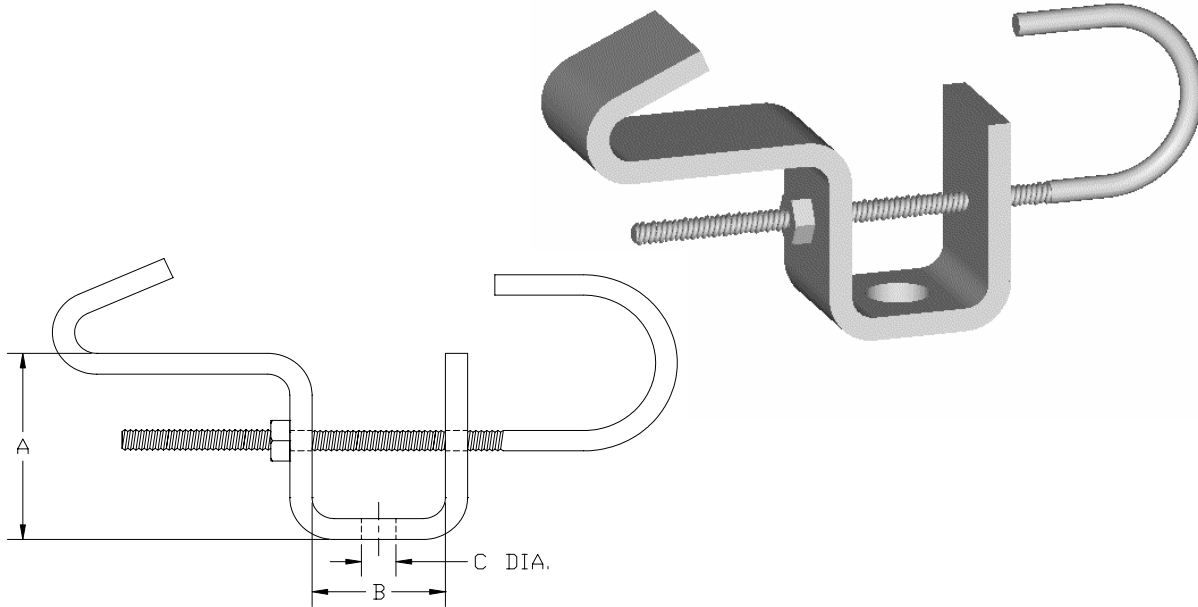


**Beam Clamps  
Adjustable**

**Part # 130**



**SIZE RANGE:** 3/8" to 5/8" inches  
**MATERIAL TYPES:** Carbon Steel  
**FINISH:** Black, Galvanized, or coated to customer specifications.  
**APPLICATIONS:** Recommended for supporting pipe from the bottom flange of beams.  
**APPROVALS:** Complies with Manufacturers Standardization Society SP-69 (Type 27)  
**ORDERING:** Specify rod size, part number and finish.

**Loads (lbs) • Weights (lbs) • Dimensions (inches)**

Rod Size	Maximum Recommended Load lbs.	A	B	C
3/8	300	2 1/2	2	7/16
1/2	700			9/16
5/8	1000			11/16

Steel size	Adjustment		Weight (approx.) lbs. each
	Min. Beam Width	Max. Beam Width	
1/4 x 1 1/4	3 1/2	8	1.19
1/4 x 1 1/2			1.67
1/4 x 1 3/4			2.23